



ESB - Essi Smart Buoy

The Essi Corporation Model ESB ( Essi Smart Buoy) is a durable, practically indestructible/ unsinkable, polyethylene buoy.

The ESB Buoy was designed to meet the strict requirements of the United States Department of Homeland Security, United States Coast Guard (USCG), and the United States Department of the Interior, Minerals Management Service (MMS-GOM-OCS).

The ESB Buoy is assembled with four (4) major parts:

**1. Floats** - The two (2) identical high density foam filled floats are designed for easy field replacement should one (1) or both floats become completely destroyed. The floats are roto-molded to (20 mm thickness), about twice the thickness of any other roto-molded polyethylene buoy. The floats will not rust or pit, and as a result will not take in water and sink, as is some times the case with conventional steel buoys. The floats are UV protected and coated to resist barnacles. The ESB total buoy weight is approximately (1/3) of the total buoy weight of equivalent size steel buoys.

**2. Structure** - The hot dipped galvanized structure (which runs through the floats) is counter ballast adjustable and is anode protected.

**3. Tower** - The design meets the minimum focal plane height requirement of eight feet (8ft.) when the Essi model BrightStar Self-Contained LED Marine Lantern is installed to the tower.

**4. Electronics** - Two (2) Essi Model Self-Contained GPS units (for additional reliability) are installed to provide buoy tracking via the world wide web (internet access). One Essi Model BrightStar (3nm) LED Marine Lantern is also installed to provide additional visual aid. Optional electronics include dual marine lanterns, audible fog signal, and answering radar beacon (racon) with frequency agility capability.

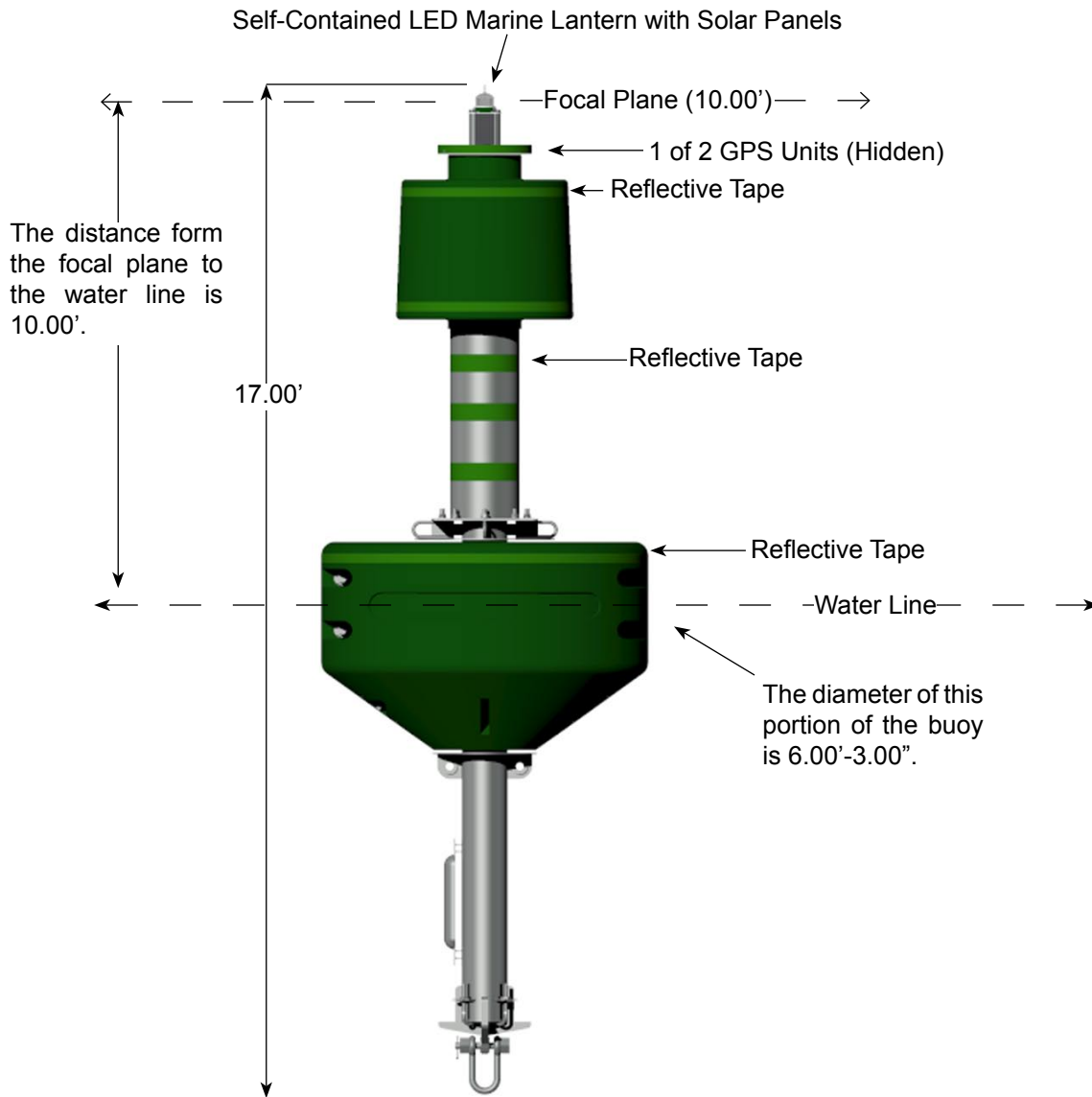
**Applications:** Marking of Artificial Submerged Structures For the Safety Of Surface Navigation and Commercial Fishing Gear, Well Heads, Channel Marking, Open Sea, Lakes, Bays, Rivers, Bayous, Active Traffic Zones, Sub-sea Pipelines, Tankers Or Barge Anchoring Points, Salvage Sites, Drilling Rig Mooring Systems.

**Requirements:** United States Coast Guard (USCG)-Title 33 Code Of Federal Regulations Part 60-67 (33CFR60-67). Minerals Management Service (MMS-GOM-OCS)-Title 30 Code Of Federal Regulations Part 250 (30CFR250).

**Power:** 12Vdc rechargeable energy cells (batteries).

**Engineering Specifications:** Upon Request.





# Essi Corporation

Telephone: (337) 837-Essi(3774)

Telefax: (337) 837-3712

[www.essicorp.com](http://www.essicorp.com)